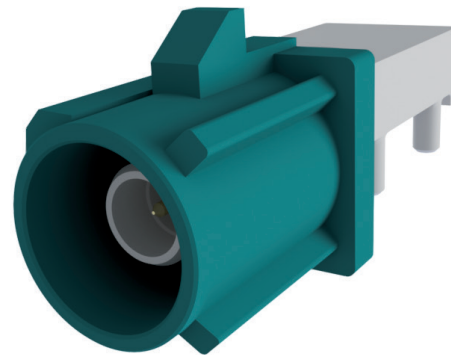
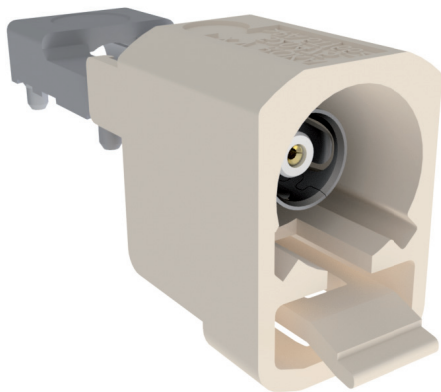




Competence in Connectors

# PRODUCT INFORMATION

## FAKRA PCB CONNECTORS



- FAKRA RF connectors are used as standardized interfaces for high-frequency applications, such as:

- Radio antennas (radio reception)
- GPS telematics or navigation
- GSM mobile communication
- RF Bluetooth® applications
- RF remote control
- Car2Car communication

- Approved for applications up to 6 GHz
- 13 codings for error free mating
- Soldering method: Reflow / Pin in paste
- Tape and reel packaging allows automated assembly
- In compliance with DIN 72594 / ISO 20860 as well as with the high requirements of leading car manufacturers

# PRODUCT INFORMATION

## FAKRA PCB CONNECTORS

### ELECTRICAL SPECIFICATIONS

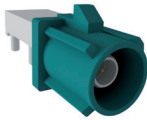
|                                    |                              |
|------------------------------------|------------------------------|
| Impedance                          | 50 $\Omega$                  |
| Frequency range                    | DC ... 6GHz                  |
| Return loss at 1 GHz               | $\geq 29$ dB                 |
| Return loss at 2 GHz               | $\geq 26$ dB                 |
| Return loss at 4 GHz               | $\geq 16$ dB                 |
| Return loss at 6 GHz               | $\geq 15$ dB                 |
| Insulation resistance              | > 1000 M $\Omega$            |
| Electrical strength                | 500 V <sub>eff</sub> / 50 Hz |
| Working current                    | $\leq 1,0$ A DC              |
| Contact resistance (inner contact) | $\leq 5$ m $\Omega$          |
| Contact resistance (outer contact) | $\leq 5$ m $\Omega$          |

Note: Electrical values depending on PCB-Layout and PCB-Material

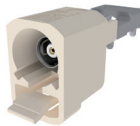
### MECHANICAL SPECIFICATIONS

|                           |                 |
|---------------------------|-----------------|
| Mating force              | < 25 N          |
| Separating force          | < 25 N          |
| Inner contact's firm seat | $\geq 10$ N     |
| Lifetime (mating cycles)  | < 25            |
| Temperature range         | -40°C to +105°C |

### Male Type

| No. Male Type | Plating                     |                    | Package units     |  |
|---------------|-----------------------------|--------------------|-------------------|---|
| 510 748 A-Z   | Centre pin<br>Outer contact | Au<br>Ni + Sn      | Pcs. on reel: TBD |   |
| 510 749 A-Z   | Centre pin<br>Outer contact | Au<br>Ni + sel. Sn | Pcs. on reel: TBD |   |

### Female Type

| No. Female Type | Plating                     |               | Package units          |  |
|-----------------|-----------------------------|---------------|------------------------|---|
| 520 476 A-Z     | Centre pin<br>Outer contact | Au<br>Ni + Sn | Appr. 300 pcs. on reel |   |